

PRESSURE REDUCING VALVE FOR WATER

EUROBRASS 146 FF PN25 VIT 130° C



Direct acting pressure reducing valve piston operating with pressure compensation system

Main body and components made in brass alloy in conformity to UBA

PN 25 – Max inlet pressure 25 bar

Outlet pressure range 0,5 – 6 bar (1,5 – 6 bar sizes higher than 1")

Factory setting 3 bar

Maximum working temperature: 1300° C

Stainless steel seat

Stainless steel bar (sizes higher than 1")

FPM rubber parts

Designed for use with water and diesel oil

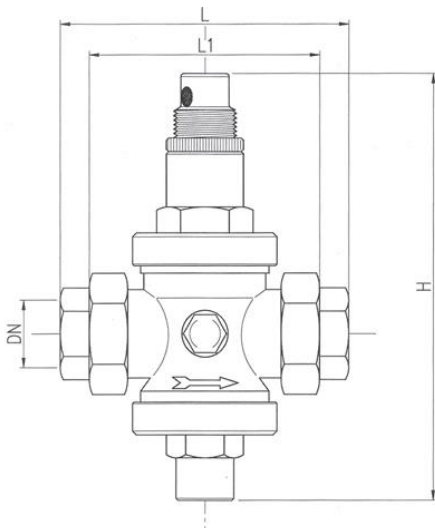
Pressure gauge connections ¼"

Threaded FF ISO 228 – also available NPT

Available sizes: from 1/2" (DN15) to 2" (DN50)

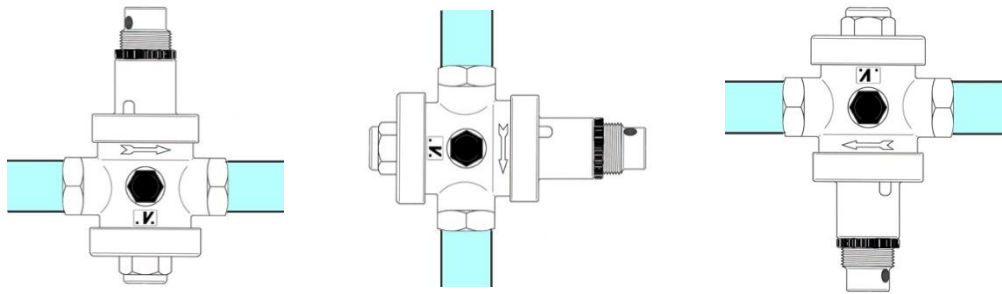
External sand blasted brass or nickel plated

EAC



Item N	Size	DN	H mm	L mm	Weight Gr
146.12	½"	15	120	112	920
146.34	¾"	20	160	135	1.600
146.33	1"	25	166	140	1.850
146.114	1¼"	32	220	170	2.950
146.112	1½"	40	220	175	3.400
146.58	2"	50	250	200	5.300

INSTALLATION GUIDELINES



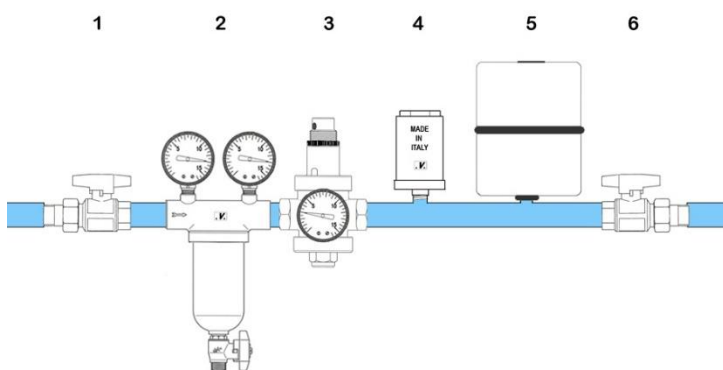
The pressure reducers EUROBRASS 146V 130°C don't get the effects, in their functioning, of gravity force; therefore they can be installed in the plant in any position:

Pressure reducing valves can be damaged by dirty water; therefore we advise to install a self-cleaning filter upstream before the pressure reducer, in order to protect the valve and any other mechanism (thermostatic mixers, taps, etc.).

When there is a device which produce or store hot water or pipes are exposed to sudden changes in temperature, an increase of outlet pressure may occur; this event is due to the raise in pressure that follows the temperature rising: an expansion vessel between downstream the pressure reducing valve will avoid this problem.

We recommend moreover to install a Stopshock valve to prevent water hammer which would damage the inner parts of the pressure reducer and other devices in the waterworks

Schema raccomandato per l'installazione dei riduttori di pressione:



- 1 – ball valve
- 2 – Self-cleaning filter
- 3 – Pressure reducing valve
- 4 – Water hammer absorber
- 5 – Expansion tank
- 6 – ball valve



All Malgorani pressure reducers are tested before being packaged; during the proof they are pre-set at the outlet pressure of 3 bars; outlet pressure can be easily adjusted once the pressure reducing valve is installed on site.

In order to modify the outlet pressure, once removed the seal, you should only loosen the fixing ring and turn the spring holder as indicated in the pictures sequence. By turning clockwise the pressure increases, while counter-clockwise the pressure decreases. A right setting should be made while the plant outlet is closed.

⚠WARNING: Installation or any change of outlet pressure must be performed by qualified personnel.

? for full datasheet or technical information: info@malgorani.it