

PRESSURE REDUCING VALVE FOR WATER

MINIBRASS 15mm PN16



Direct acting pressure reducing valve piston operating – Patent Pending

Main body and components made in brass alloy in conformity to UBA

PN 16 – Max inlet pressure 16 bar

Outlet pressure range 1 – 4 bar

Factory setting 3 bar

Maximum working temperature: 80° C

NBR rubber parts

Designed for use with water and air

Pressure gauge connection 1/4"

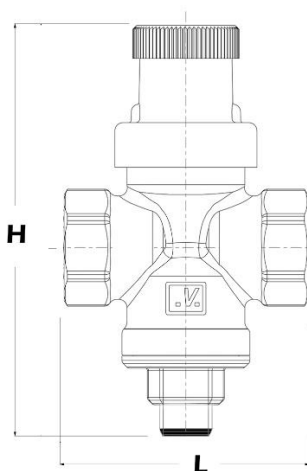
Threaded FF ISO 228

Available sizes: 15mm (DN15)

External sand blasted brass or nickel plated

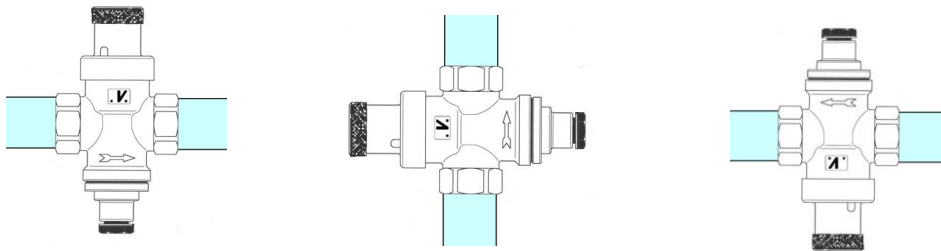


conforme
DM 174/2004



Item N	Size	DN	H mm	L mm	Weight Gr
106.15	15mm	15	108	73	380

INSTALLATION GUIDELINES



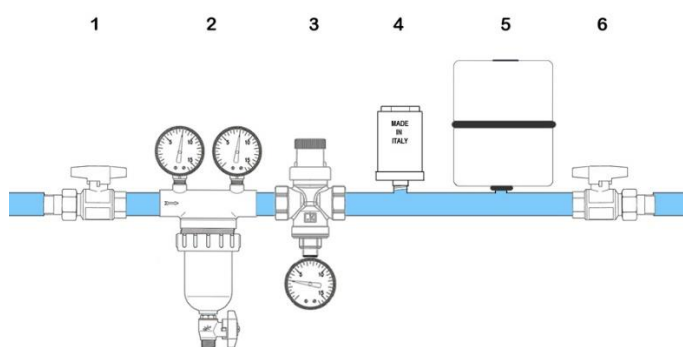
The pressure reducers MINIBRASS don't get the effects, in their functioning, of gravity force; therefore they can be installed in the plant in any position:

Pressure reducing valves can be damaged by dirty water; therefore we advise to install a self-cleaning filter upstream before the pressure reducer, in order to protect the valve and any other mechanism (thermostatic mixers, taps, etc.).

When there is a device which produce or store hot water or pipes are exposed to sudden changes in temperature, an increase of outlet pressure may occur; this event is due to the raise in pressure that follows the temperature rising: an expansion vessel between downstream the pressure reducing valve will avoid this problem.

We recommend moreover the installation of a Stopshock valve to prevent water hammer, which would damage the inner parts of the pressure reducer and other devices in the waterworks.

Suggested installation scheme:



1 – ball valve

2 – Self-cleaning filter

3 – Pressure reducing valve

4 – Water hammer absorber

5 – Expansion tank

6 – ball valve



All Malgorani pressure reducers are tested before being packaged; during the test they are set at the outlet pressure of 3 bars; outlet pressure can be easily adjusted once the pressure reducing valve is installed on site.

In order to modify the outlet pressure, once removed black plastic cover cap, turn the spring holder as indicated in the pictures sequence. By turning clockwise the pressure increases, while counter-clockwise the pressure decreases. A right setting has to be made while the plant outlet is closed.

⚠WARNING: qualified personnel must perform Installation or any change of outlet pressure.

? for full datasheet or technical information: contact@malgorani.it